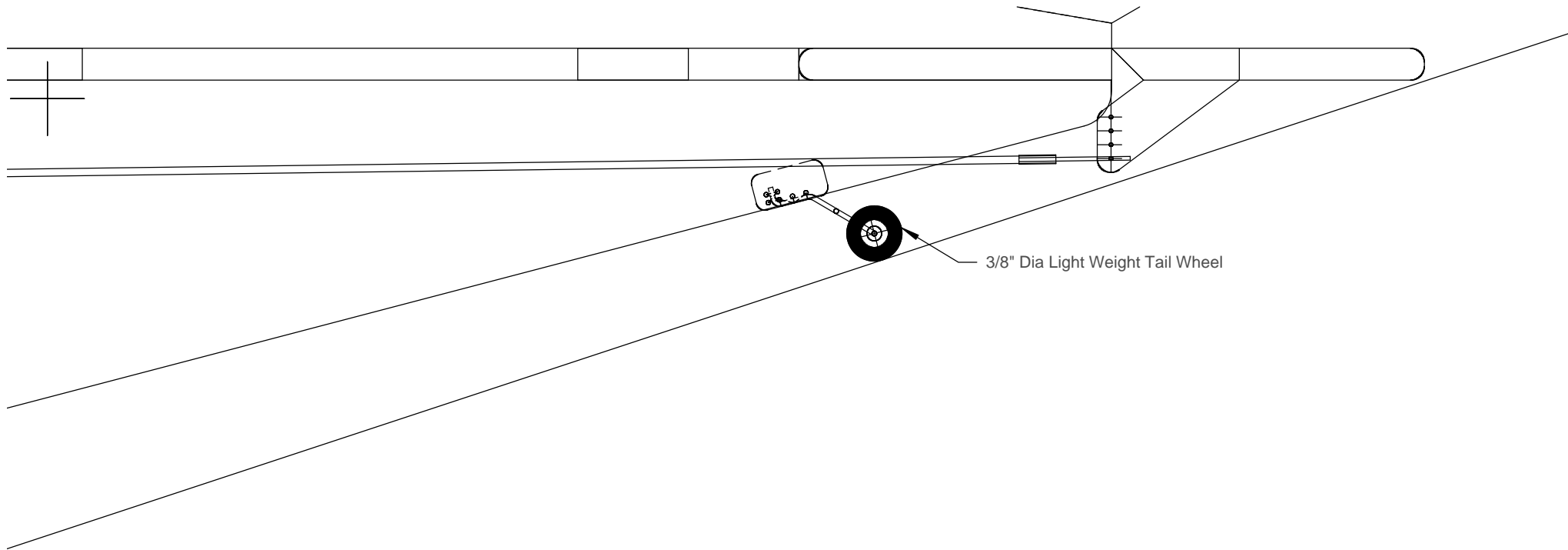


Li-Poly Battery
2S 7.4V
450mah 30 C

The diagram shows a top-down view of a robot chassis. A Li-Poly battery is mounted in a central compartment. To the right, a motor is connected to the chassis. A single wheel is shown at the bottom, with a callout indicating its size. The chassis has a curved front and a straight rear section. Various mechanical components like gears and bearings are visible.

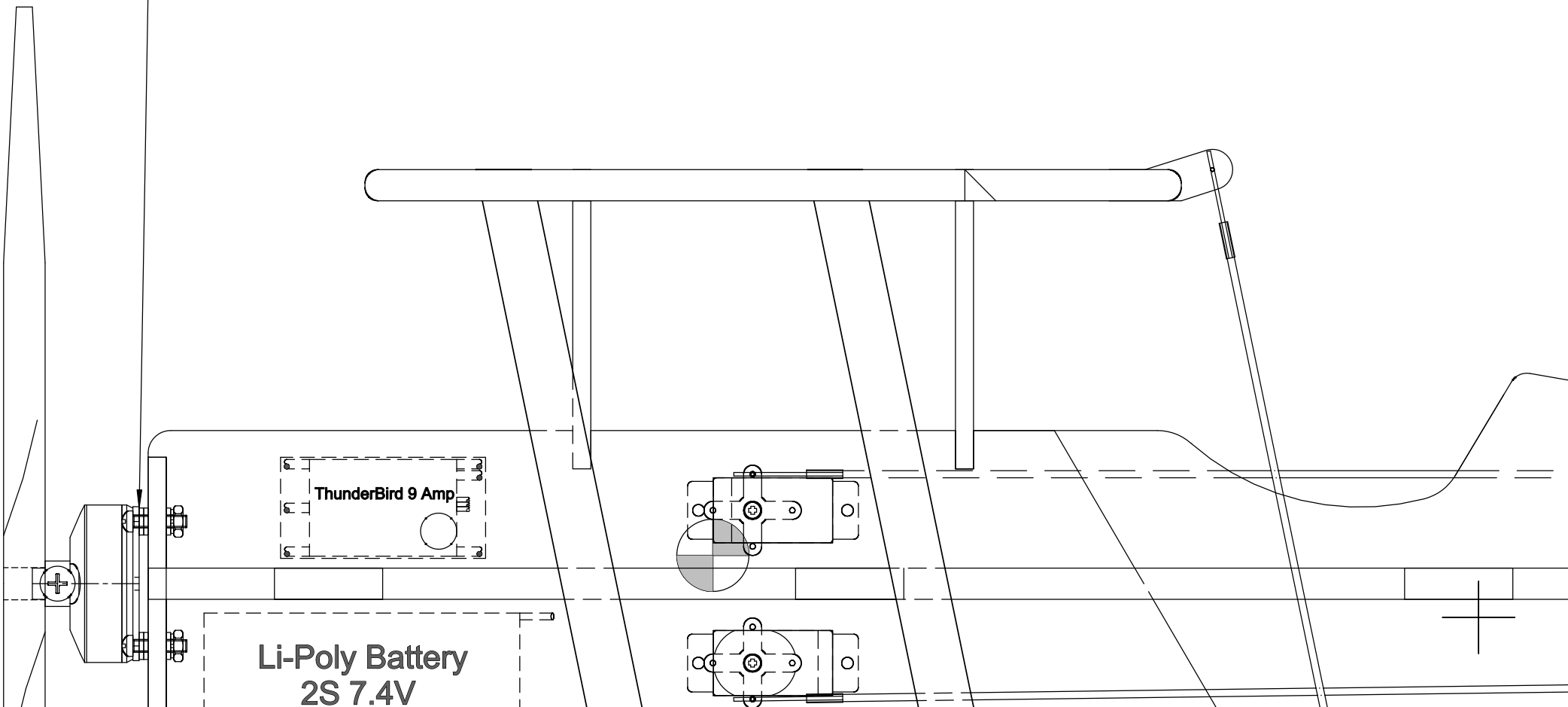
1-1/2" Diameter Light Wheels



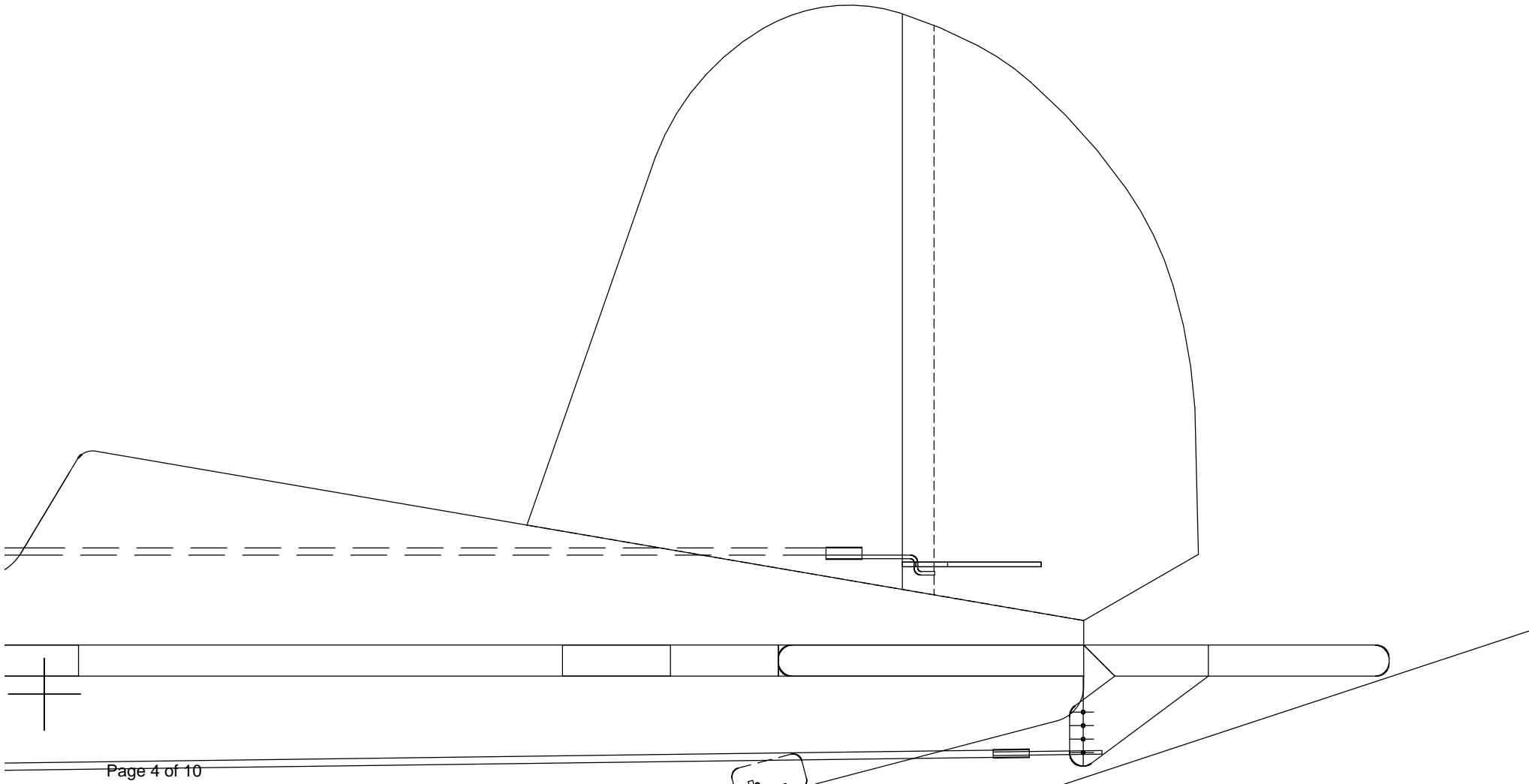
R/C MINI-E-BIPE

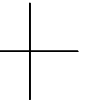
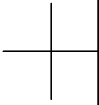
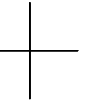
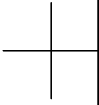
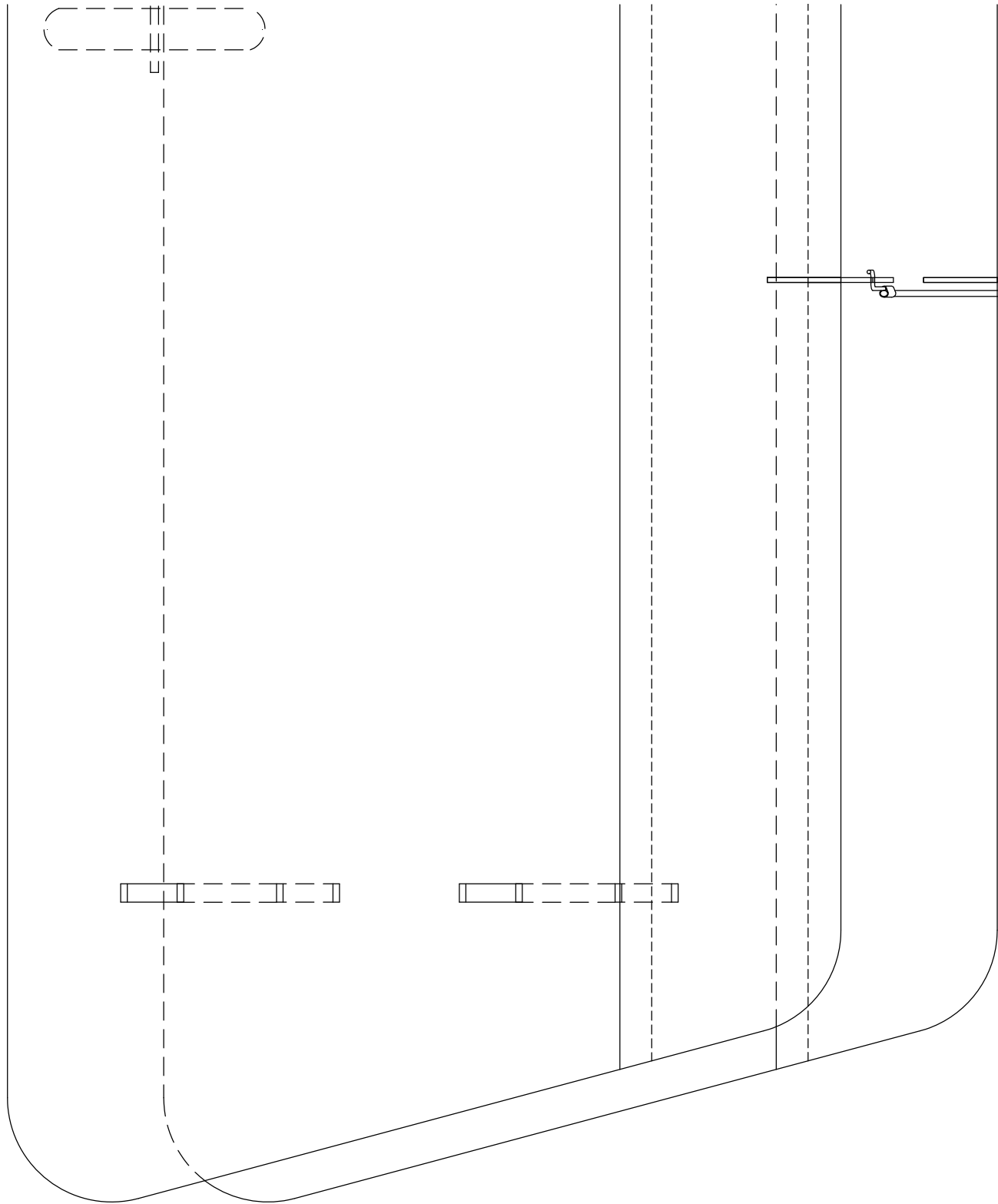
Designed and Drawn By Carl Hock Sept 2011
Inspired by Lou Roberts 1/2A C/L "Mini-Bipe"
originally published in Flying Models Magazine.

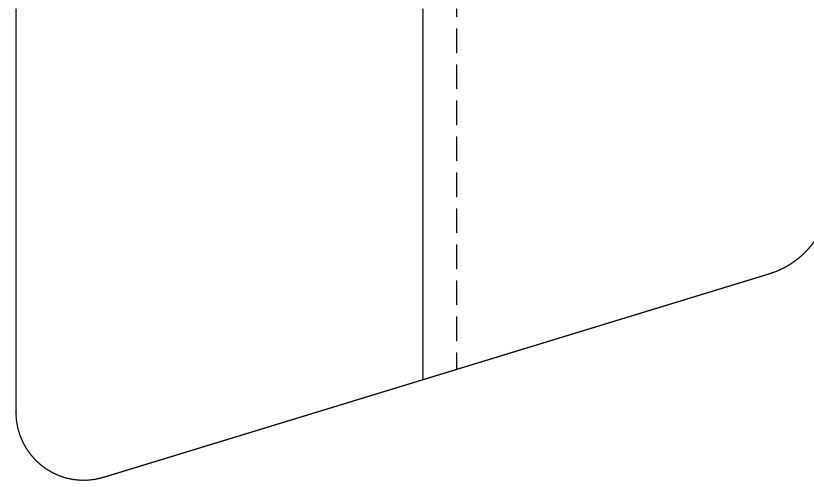
Use 1/32" Thick Washers to Adjust Thrust Line.
Original used down thrust.
Three washers each on top pair and one each on the bottom pair of mounting screws.



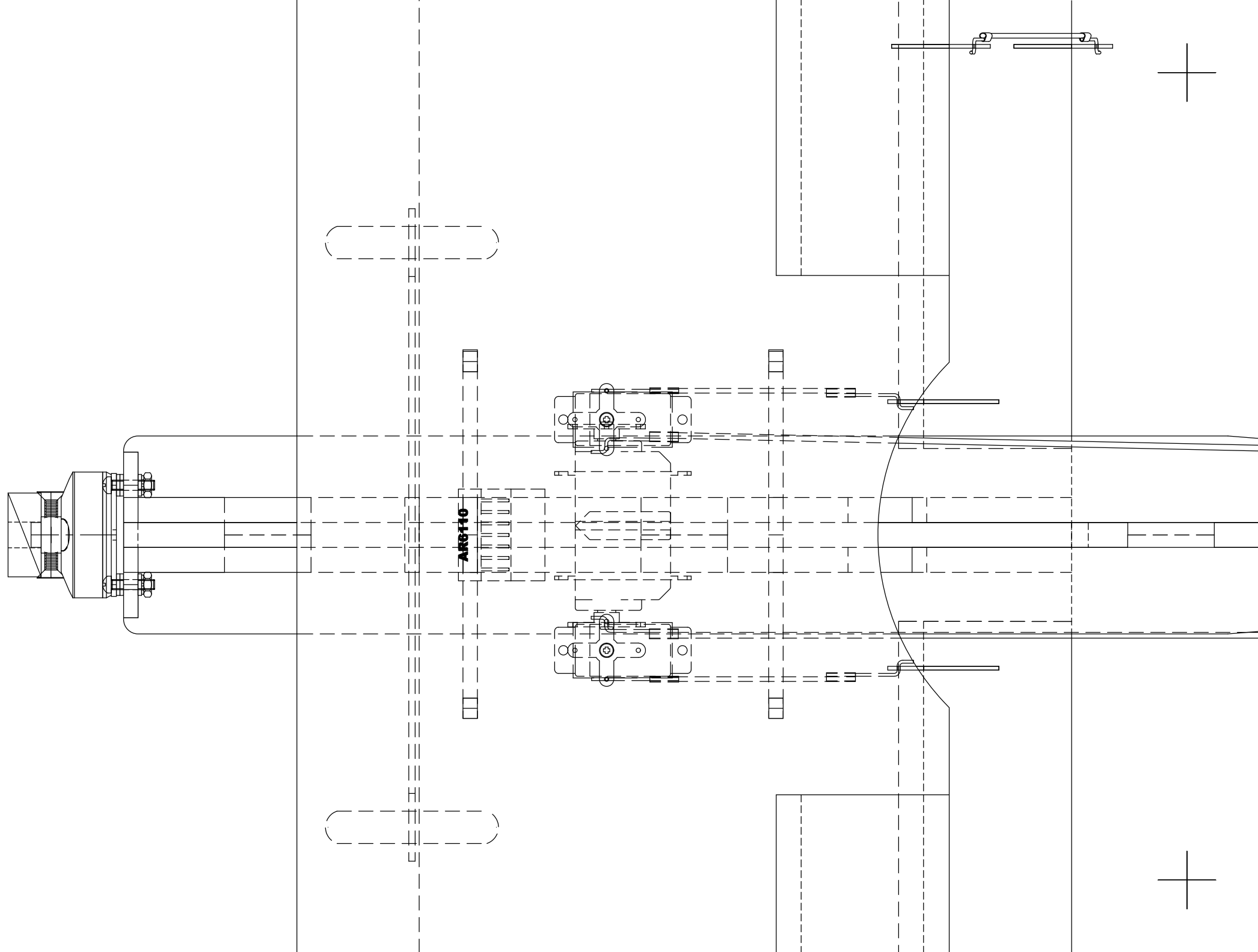
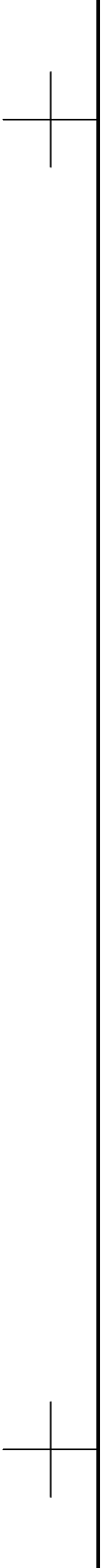
Propeller APC 8 X 3.5
Motor Controller Castle Creations
Thunderbird 9 9 Amp Continuous
Battery Li-Poly 2S 450mah 30C
Receiver Spektrum AR6110
Servos 4ea. 6 g.

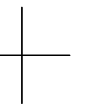
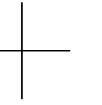
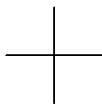
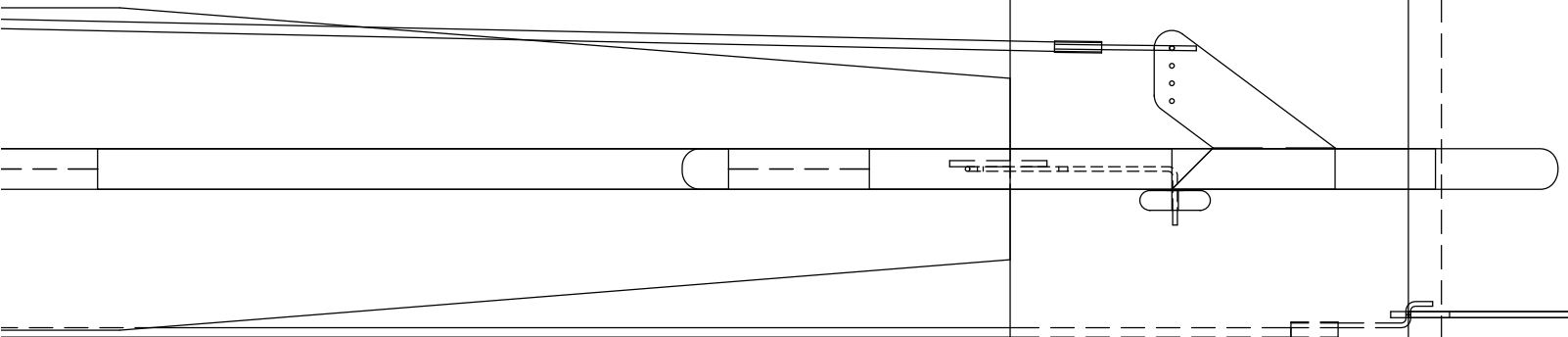
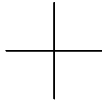


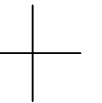
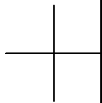
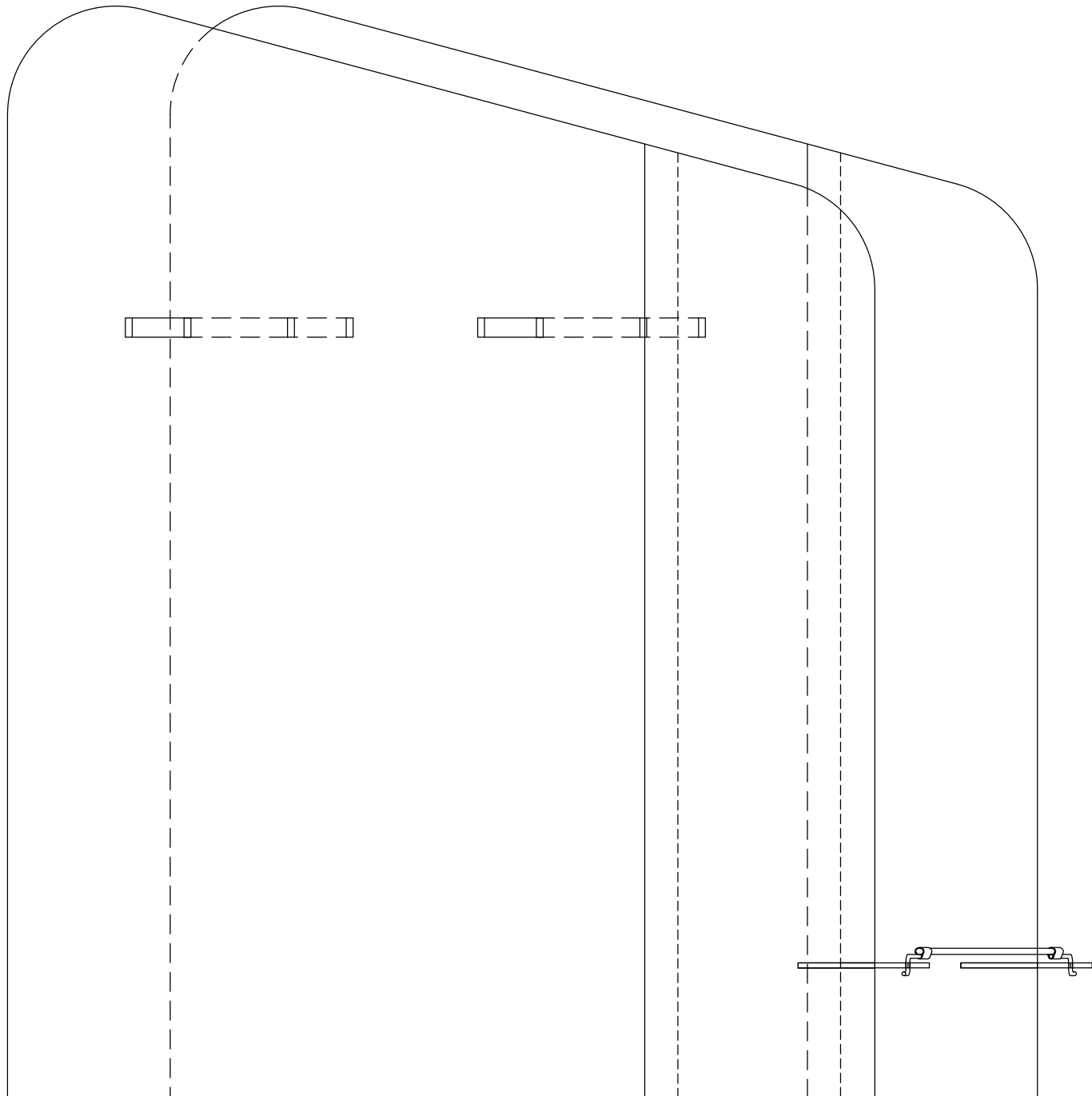
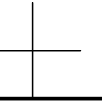
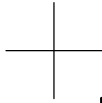


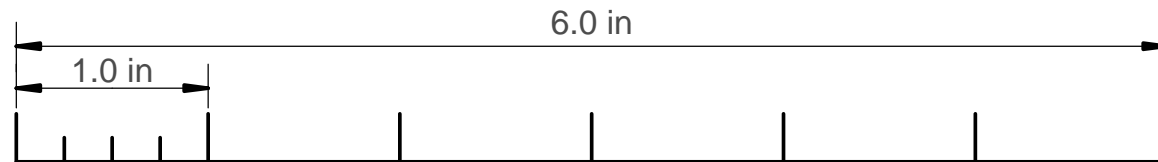


| | |
|-----------------|-----------------------|
| Wing Span | 20 in |
| Length | 19.5 in |
| Weight | 6.7 oz. |
| Wing Area | 222 sq.in |
| Wing Loading | 4.39 oz/sq.ft |
| Motor | Brushless Outrunner |
| | BP A2204-19 |
| Propeller | APC 8 X 3.5 |
| Motor Controler | Castle Creations |
| Thunderbird 9 | 9 Amp Continuous |
| Battery | Li Poly 2S 450mah 20C |









Recomended starting control surface movement:

- Aileron ~+/- 1/4"
- Elevator ~1" Up, 3/4" Down
- Rudder ~1" Left and Right

